

FIG. 1
PRIOR ART

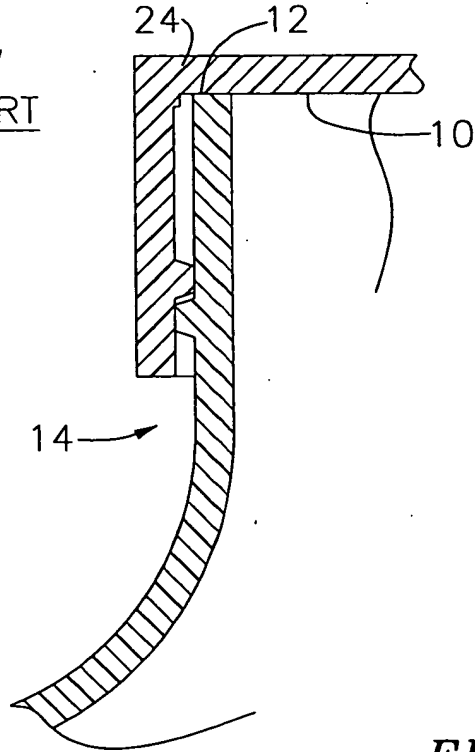


FIG. 3B

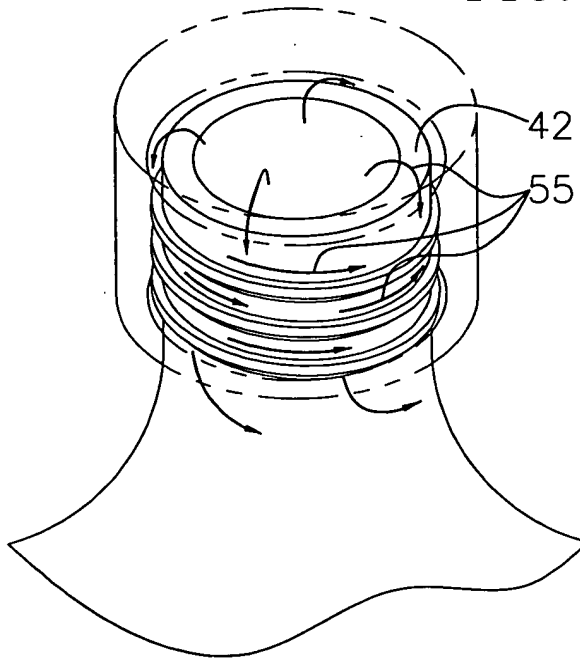


FIG. 1 - PRIOR ART

FIG. 2

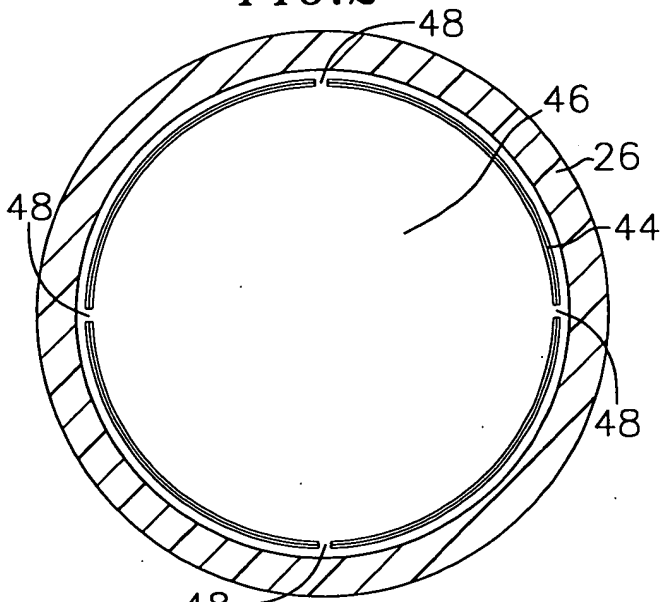
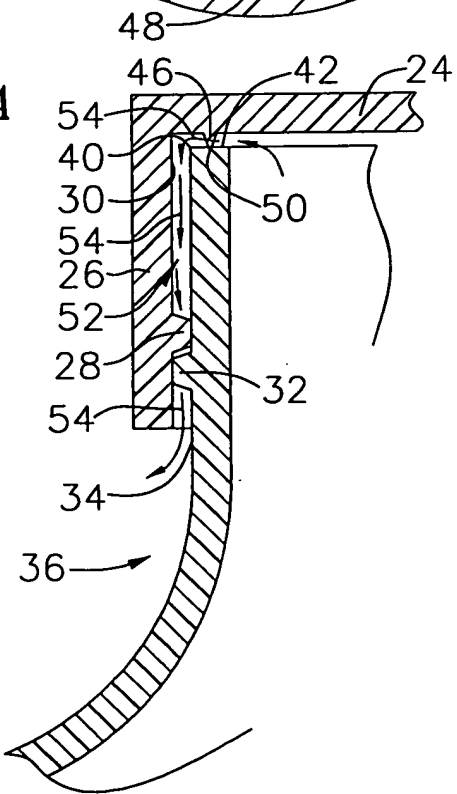
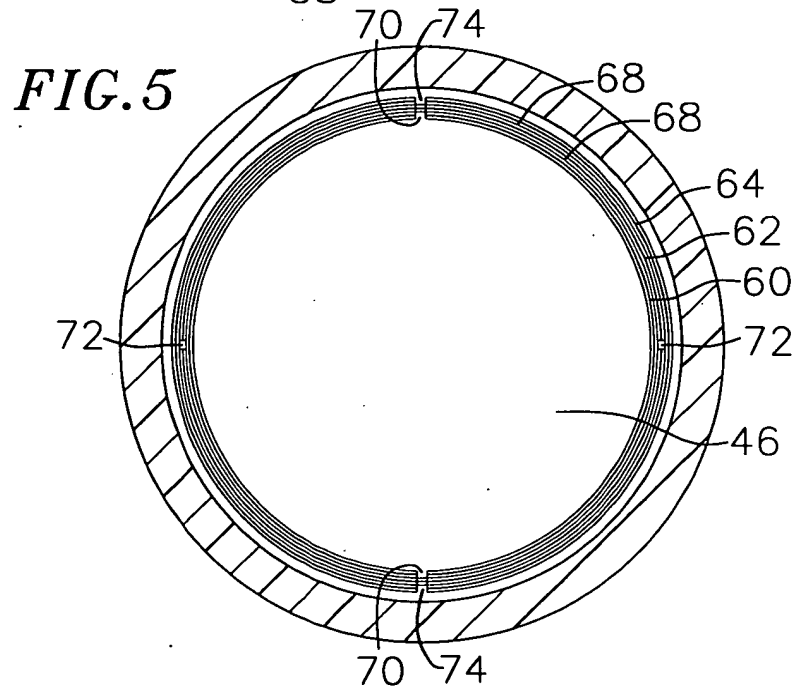
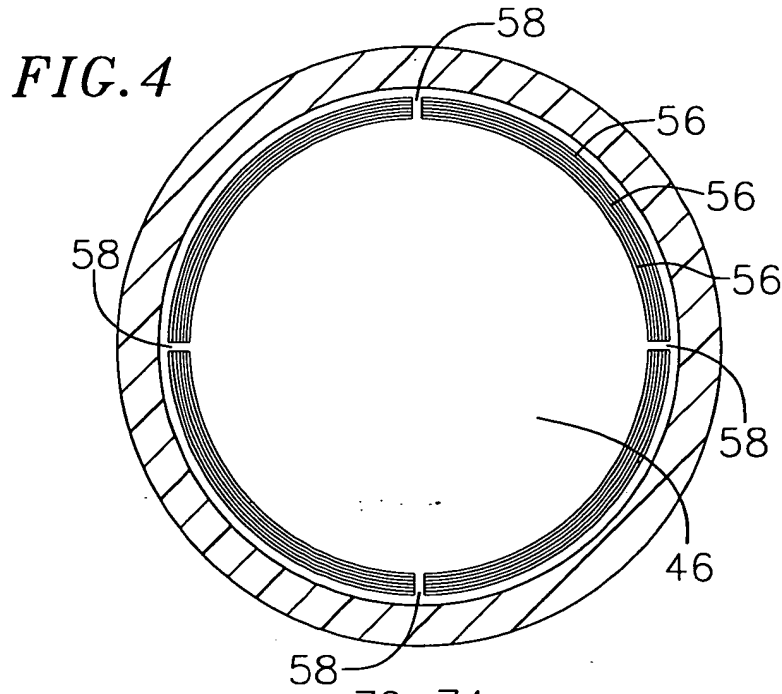


FIG. 3A



FOR FILING



43327-25660

FIG. 6

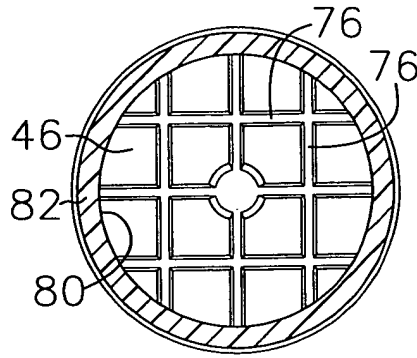
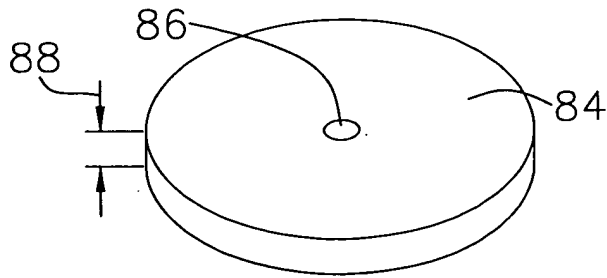


FIG. 7



FOR PUBLICATION



FIG. 8

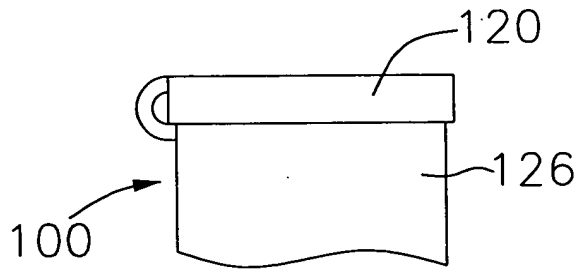
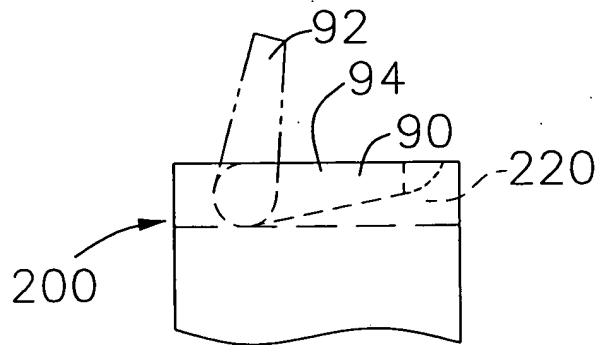


FIG. 9



PERCE WOODROW



FIG. 10

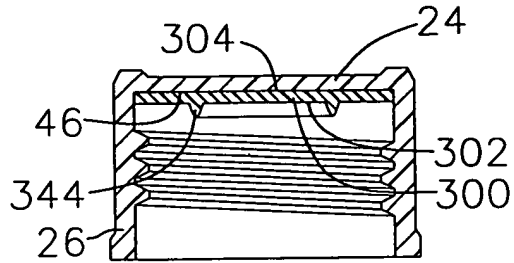


FIG. 11

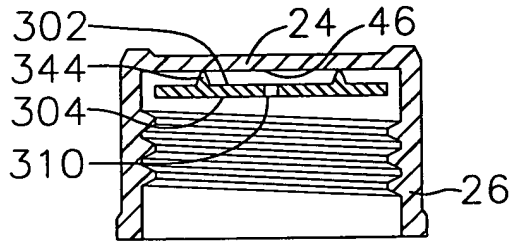
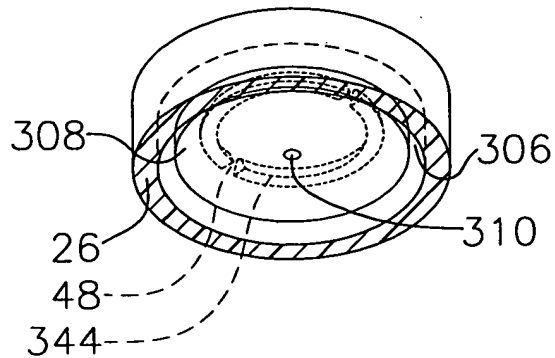


FIG. 12



FOR PUBLICATION

FIG. 13

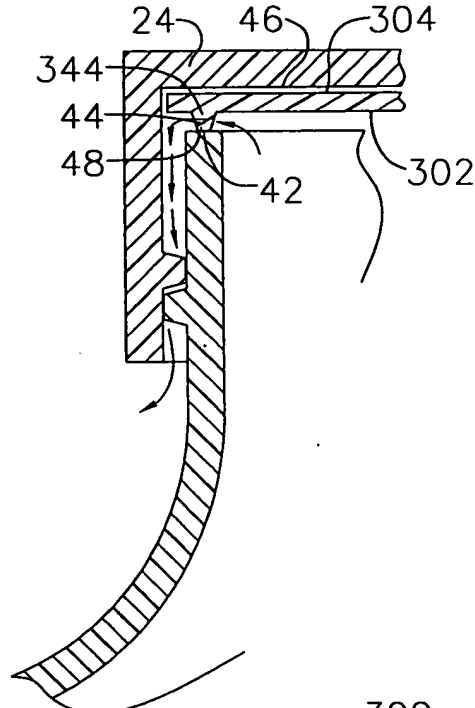
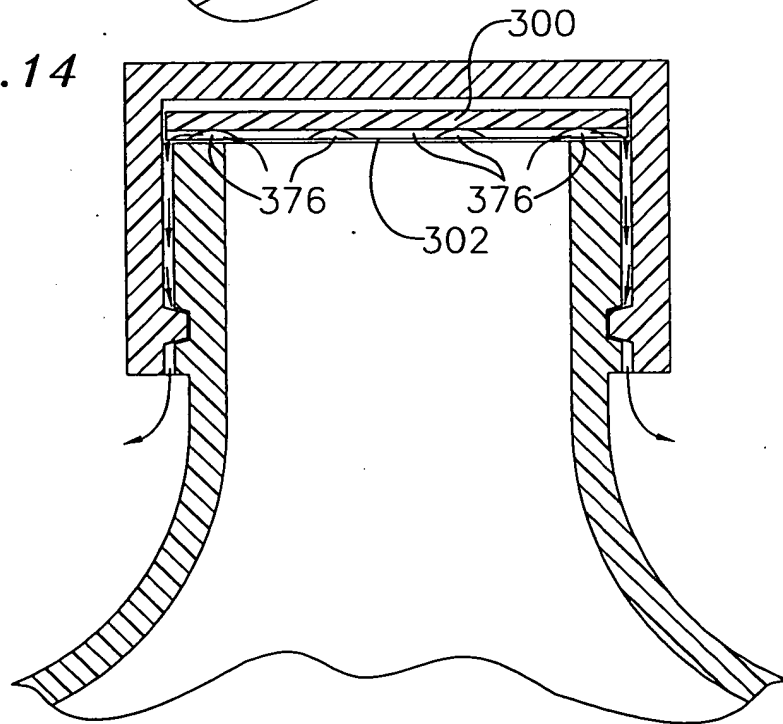


FIG. 14



FOR OFFICIAL USE ONLY